

HSF

Recommended P.C.B Layout (Top Side)
 (PCB BOARD TOLERANCE±0.05)
 PCB BOARD Thickness: 1.6–2.0

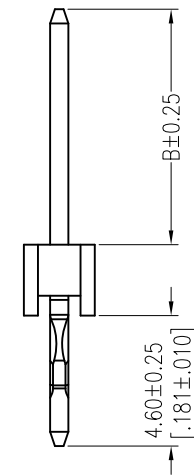
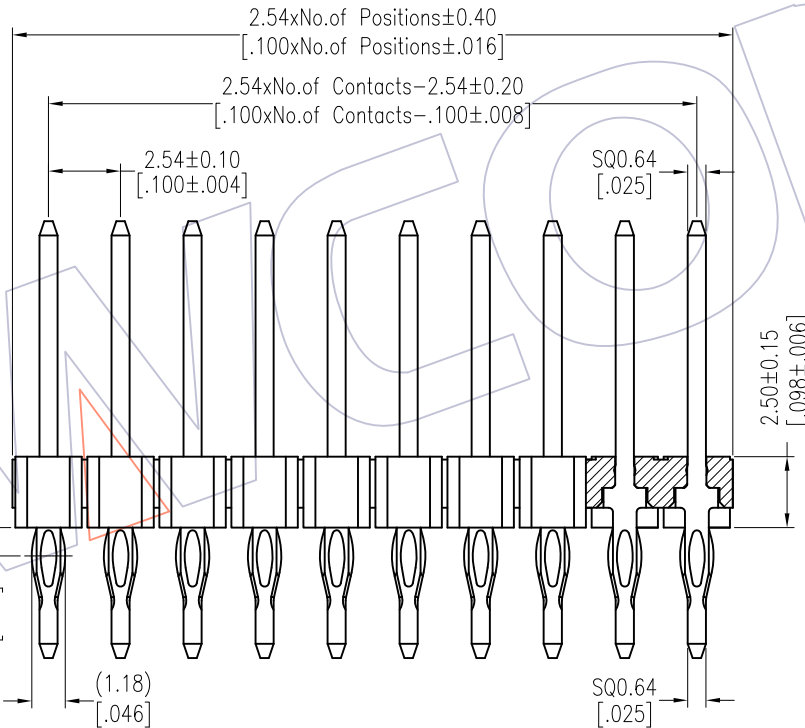
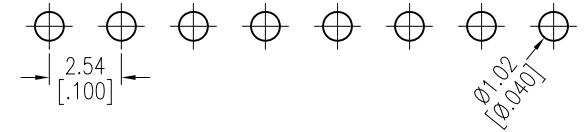
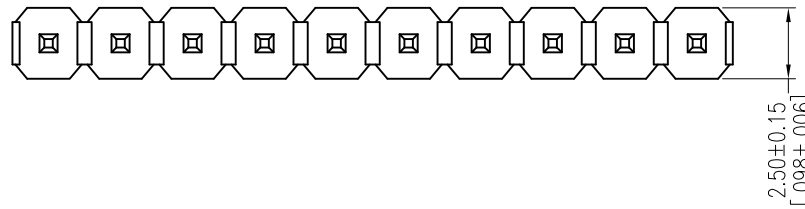
NOTES:
 Rated Current:3.0AMP.
 Contact Resistance:20mΩ Max.
 Withstand Voltage:500V AC/DC
 Insulation Resistance:1000MΩ Min.
 Operation Temperature:–40°C to +105°C

Contact Material:Brass
 Contact Plating:Au or Sn Over Ni
 Insulator Material:PBT+30%G.F UL94V–0 BK

Ordering Information

1001-11 XX XX S XXX A 0 XX $\Delta\Delta$

No. of Pins 02-40	Contact Plating G0=Gold Flash G3=10u"Gold G4=15u"Gold G5=30u"Gold S0=Gold Flash/Tin S3=10u"Gold/Tin S4=15u"Gold/Tin S5=30u"Gold/Tin SN=Tin SM=Matte Tin	Pin Length	Insulator Material A=PBT	Packing 0=PE Bag T=Tube	Series No. 01-99
----------------------	---------------------------------------------------------------------------------------------------------------------------------------------------------------------------------------	------------	-----------------------------	-------------------------------	---------------------



1001-11XXXXS196X1	12.50	$\Delta\Delta$
1001-11XXXXS174X1	10.30	
1001-11XXXXS154X1	8.30	
1001-11XXXXS131X1	6.00	$\Delta\Delta$
1001-11XXXXS129X1	5.80	
1001-11XXXXS098X1	2.70	
PART No.	B	

A4	2018/01/22	Modify P/N & Add Pin Length 19.6	$\Delta\Delta$	OPERATION	DRAW	DATE	SCALE	Fit	PART NO.
A3	2017/09/13	Add Pin Length 13.1	$\Delta\Delta$	x.X ±0.40	Ruipeng	2018/01/22	UNIT	mm [inch]	1001-11XXXXSXXXA0XX
A2	2015/04/01	Add Pin Length 9.8	-----	x.XX ±0.25	CHECK	DATE	SIZE	A4	TITLE:
A0	2013/12/31	NEW	-----	x.XXX ±0.15	APPROVE	DATE	SHEET	1/1	2.54 PIN HEADER,SINGLE ROW S/T,PRESS FIT
REV	DATE	MODIFICATION DESCRIPTION	CHANGE	Angle ± 3'			PROJ.		Customer NO.
				DIM TOL					

WCON
 Http: www.wcon.com

WCON-Dongguan Tel: +86 769 85358920 Fax: +86 769 85358915 E-mail: sales@wcon.com	WCON-Kunshan Tel: +86 512 57468408 Fax: +86 512 57468468 E-mail: salesks@wcon.com
-------------------------------------------------------------------------------------------	--------------------------------------------------------------------------------------------