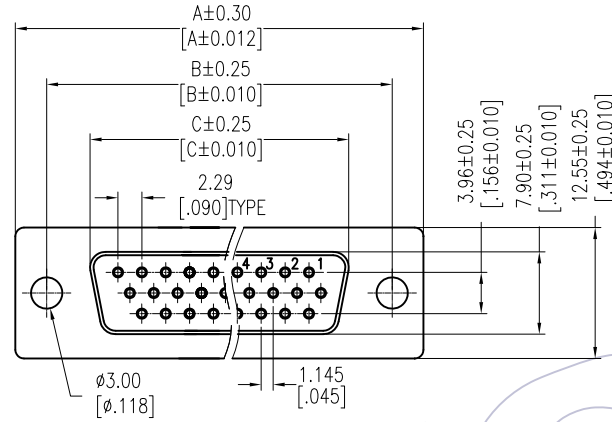


HSF

NOTES:

Current Rating: 3.0AMP
 Contact Resistance: 30mΩ Max
 Withstand Voltage: 500V AC/DC
 Insulation Resistance: 1000MΩ Min
 Operation Temperature: -55°C to +105°C

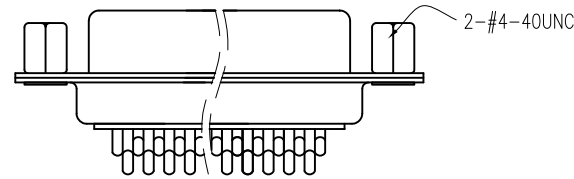
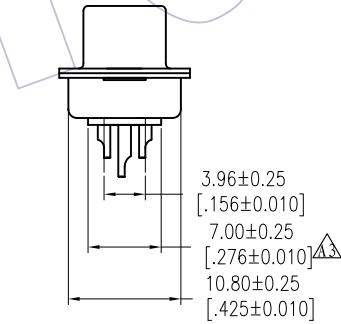
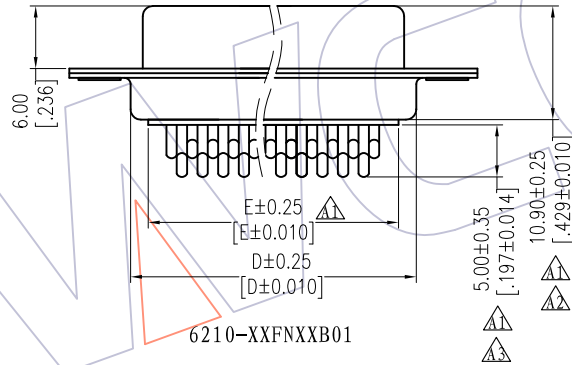
Contact Material: Brass
 Contact plating: Au Or Sn over Ni
 Insulator Material: PBT+30%G.F UL94V-0
 Shell: Steel, Sn Or Ni Plated
 Nut: Brass, Sn over Ni Plated



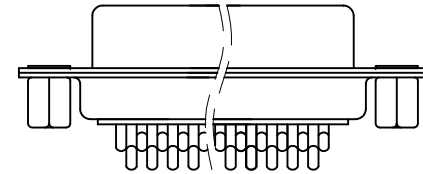
Ordering Information

6210-XX F X XX B 01

No. of Pins	Type	Contact Plating	Insulator Color
15,26,44,62P	B=With Back Nut	S0=Gold Flash/Tin	B:Black
	F=With Front Nut	S3=10u"Gold/Tin	U:Blue
	N=Without Nut	S4=15u"Gold/Tin	W:White
		S5=30u"Gold/Tin	
		SN=Tin	



6210-XXFFXXB01



6210-XXFBXXB01

PINS	DIM "A"	DIM "B"	DIM "C"	DIM "D"	DIM "E"
15	30.81	24.99	16.33	19.10	15.81
26	39.14	33.32	24.66	27.75	24.90
44	53.04	47.04	38.38	41.30	38.20
62	69.32	63.50	54.84	57.40	54.30

A4	2015/06/12	Modify The Contact Material	△	OPERATION	DRAW	DATE	SCALE	FIT	PART NO. 6210-XXFXXXB01
A3	2014/06/18	Modify The DIM 4.35 to 5.00/7.40 to 7.00	△	x.X ±0.40	Allen	2015/06/12	UNIT	mm	
A2	2014/06/06	Modify The DIM 10.70 to 10.90	△	x.XX ±0.25	CHECK	DATE	SIZE	A4	TITLE: HD-SUB FEMALE THREE ROW SOLDER TYPE
A0	2012/12/03	NEW	-----	x.XXX ±0.15	APPROVE	DATE	SHEET	1/1	
REV	DATE	MODIFICATION DESCRIPTION	CHANGE	Angle ± 3'			PROJ.	Customer NO.	
				DIM TOL					

WCON

Http: www.wcon.com

WCON-Dongguan Tel: +86 769 85358920 Fax: +86 769 85358915 E-mail: sales@wcon.com	WCON-Kunshan Tel: +86 512 57468408 Fax: +86 512 57468468 E-mail: salesks@wcon.com
---	--