

HSF

NOTES:

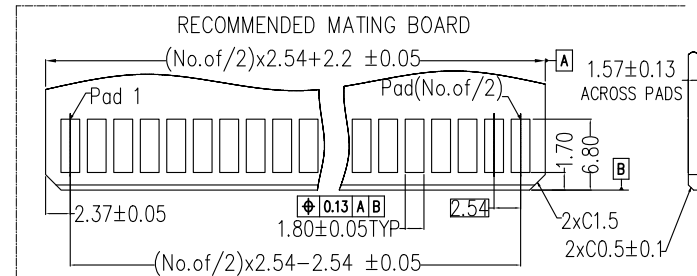
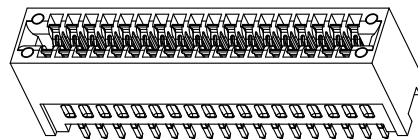
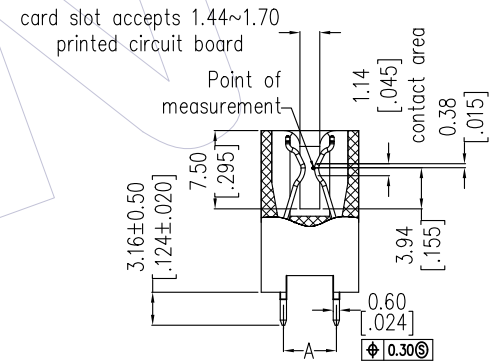
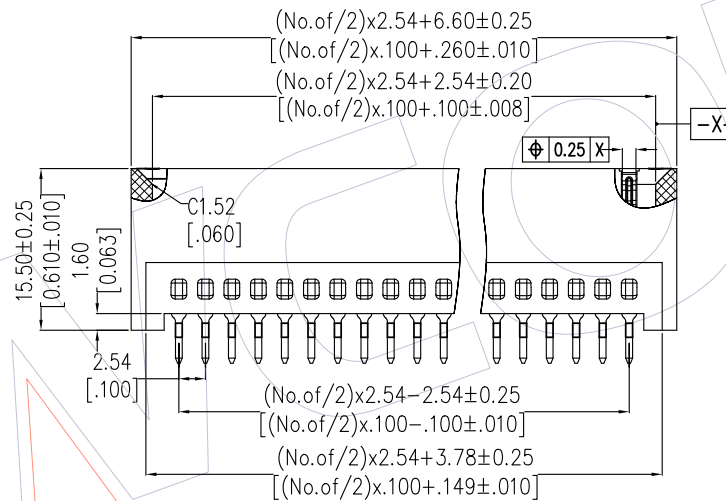
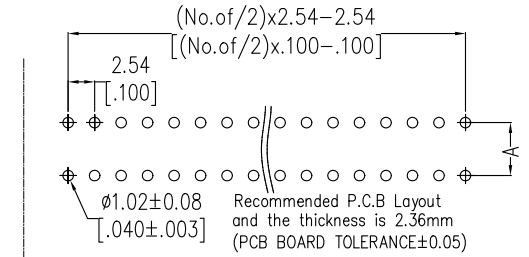
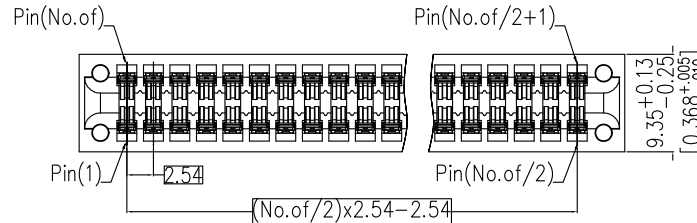
1. Insulator material: HIGH TEMPERATURE THERMOPLASTIC, UL94 V-0;
2. Terminal material: Copper Alloy;
Terminal Plating: Au/Sn Plated Over Nickel ;
3. Rated Voltage: 300 V;
4. Rated Current: 3.0 A;
5. Contact Resistance: 20 mΩ Max;
6. Insulation Resistance:
DC500V / 5000MΩ Min
7. Insulation Withstand Voltage:
1000V AC/1min;
8. Durability :200 cycling;
9. Operation Temperature:-25°C to +105°C;

Ordering Information:

7512 - XXX S X N XX D 0X ^{A1}

No. of: 006=6Pin
Fixed Mode: S: 180°DIP
R: 90°DIP
M: SMT
C: Splint
Color: B: Black
W: White
N: 无定位孔
material: A: PBT
B: Nylon-66
D: LCP
DIM. A脚距
01: A=5.08
02: A=3.81

Contact Plated:
SM=Matte Tin
S0=Gold Flash/Tin
S1=3u" Gold /Tin
S5=30u" Gold /Tin
W0=Gold Flash /Matte Tin
W1=3u" Gold /Matte Tin
W5=30u" Gold /Matte Tin



REV	DATE	MODIFICATION DESCRIPTION	CHANGE	OPERATION	DRAW	DATE	SCALE	FIT	PART NO.
				x.x ±0.40	Surong Xu	2018/08/29	UNIT	mm	7512-XXXSXNXXD0X ^{A1}
A1	18/08/29	MODIFY P/N		x.xx ±0.25	CHECK	DATE	SIZE	A4	
A0	18/01/08	NEW		x.xxx ±0.15	APPROVE	DATE	SHEET	1/1	
				Angle ± 3°			PROJ.		TITLE: 2.54mm Slot 180° DIP 脚距5.08/3.81 无定位孔
				DIM	TOL				Customer NO.

WCON

Http: www.wcon.com

WCON-Dongguan Tel: +86 769 85358920 Fax: +86 769 85358915 E-mail: sales@wcon.com
WCON-Kunshan Tel: +86 512 57468408 Fax: +86 512 57468468 E-mail: salesks@wcon.com