

HSP

NOTES:

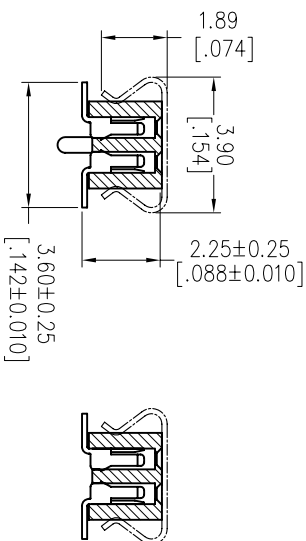
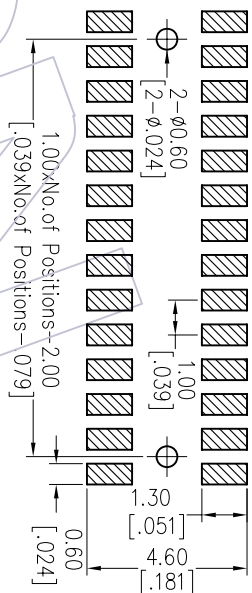
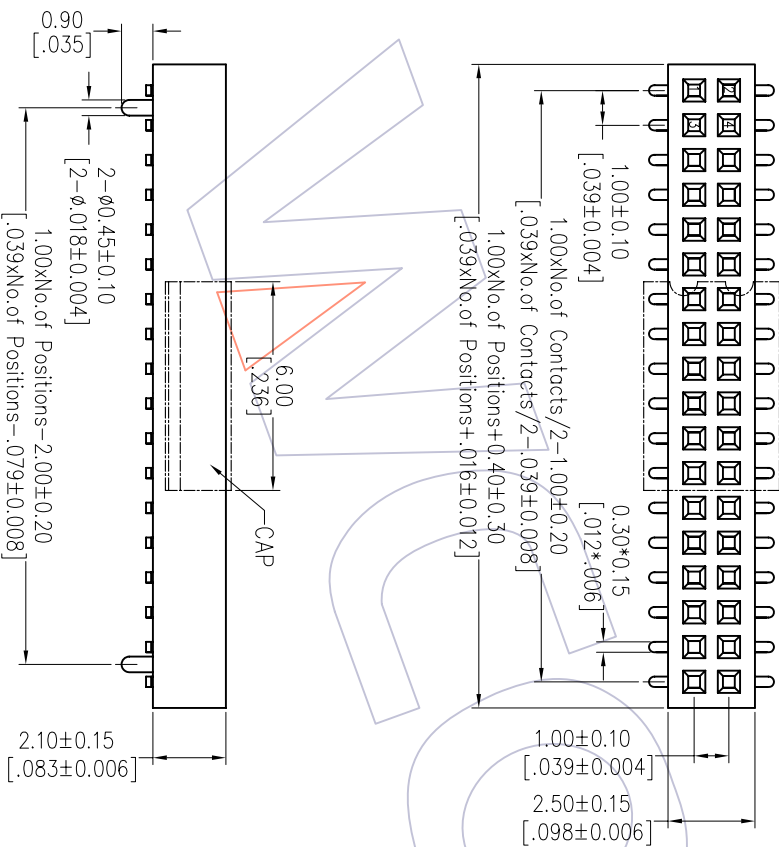
Rated Current: 1.0AMP
 Contact Resistance: 20mΩ max
 Withstand Voltage: 500V AC/DC
 Insulation Resistance: 1000MΩ min
 Operation Temperature: -40°C to +105°C
 Contact Material: Phosphor Bronze
 Contact Plating: Au Over Ni
 Insulator Material: PA9T+30%G.F UL94V-0

Recommended P.C.B Layout (Top Side)
 (PCB BOARD TOLERANCE±0.05)

Ordering Information

2521-2 XX M XX CUN X X

No. of Pins per Row: 02-50P
 Contact Plating: G0=Gold Flash, G3=10μ"Gold, G4=15μ"Gold, G5=30μ"Gold
 Packing: T=Tube, P=Tube+CAP, R=Tube&Reel+Cap
 Series No.: 1=Type 1, 2=Type 2



Item	Pitch	Mating
Standard	1.00	1510/1515/1521
Alternate		

REV	DATE	MODIFICATION DESCRIPTION	CHANGE	OPERATION	DRAW	DATE	SCALE	FIT	PART NO.	TITLE:	WCON-Dongguan	WCON-Kunshan
AO	12/07/05	NEW		XX XX X.XXX	JYHuang	2012/07/05	mm A4	1/1	2521-2XXMXXCUNXX	FH1.00 DUAL ROW SMT H=2.1	Tel: +86 769 85358920 Fax: +86 769 85358915 E-mail: sales@wcon.com	Tel: +86 512 57468408 Fax: +86 512 57468468 E-mail: sales@wcon.com
1				Angle ± 3° DIM TOL	APPROVE	DATE	PROJ.		Customer NO.		Http: www.wcon.com	

WCON